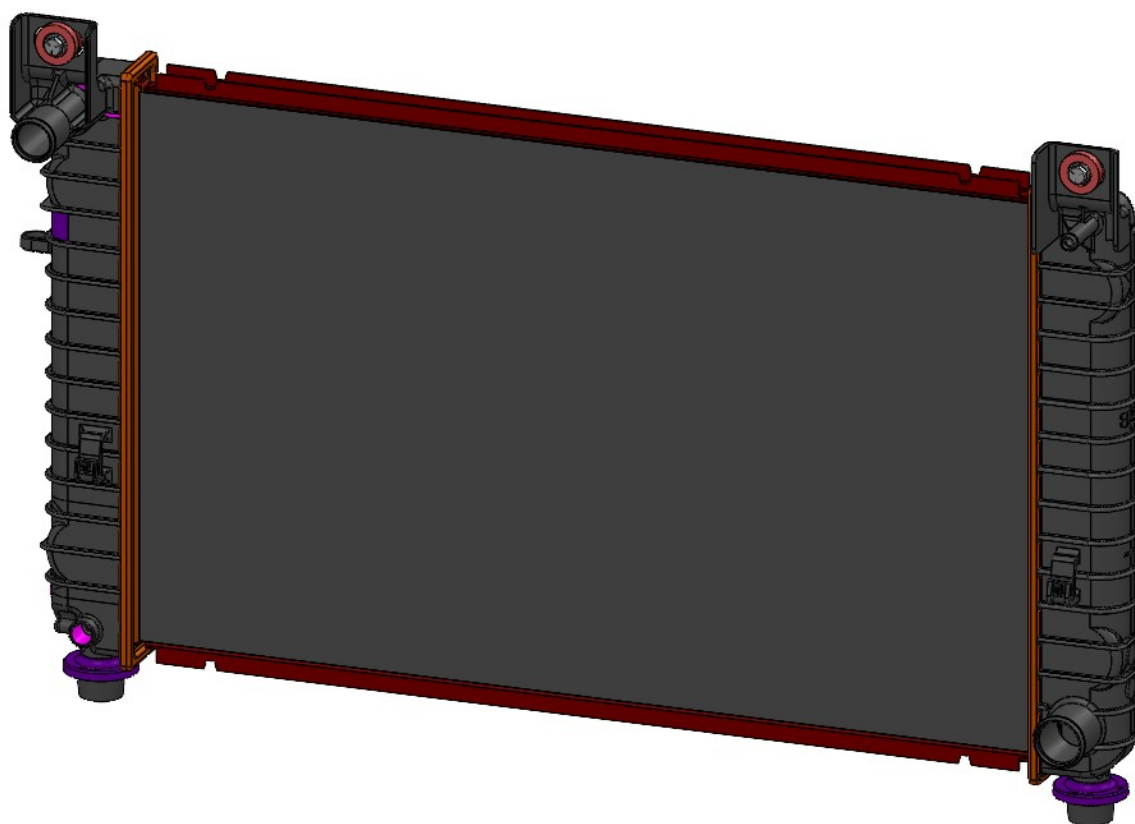


Running Engine Stand



Cooling Assembly Instruction Manual

Important Notes for Assembly:

- This manual is for the Cooling add-on of the Running Engine Stand assembly. If you have not yet started with the Main Assembly instructions, start there before returning here.
- Use care when handling parts. There may be sharp edges and holes on components. Using thick protective gloves is recommended during the assembly process.
- Each bolt and nut should have the appropriately sized washer placed between the fastener and the frame.

Required Tools:

- Ratchet
- 7/16" Wrench
- 7/16" Socket
- 1/2" Wrench
- 1/2" Socket
- 10mm Socket

If you are experiencing problems upon installation—

DO NOT RETURN THIS PRODUCT!

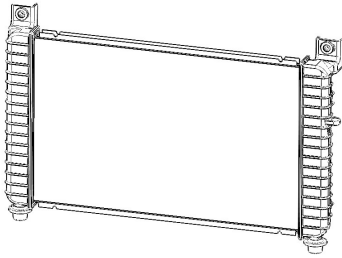
Most installation problems can be easily solved.

First contact technical support at:

Service@mechman.com

1 (888) MECHMAN or 865-522-6166

Included Components:



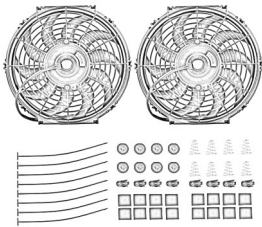
Radiator

1x



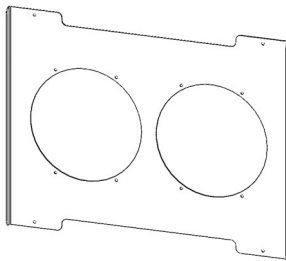
Radiator Hose

1x



Radiator Cooling Fan Kit

1x



Radiator Fan Shroud

1x



Coolant Overflow Tank

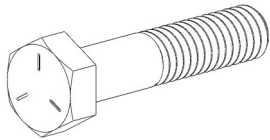
1x



Coolant Reservoir Spacer

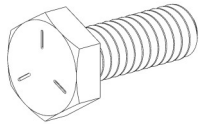
1x

Included Hardware:



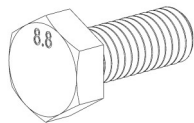
5/16"-18 x 1.5" Hex Bolt

2x



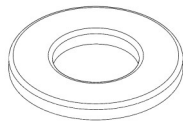
1/4"-20 x 0.75" Hex Bolt

12x



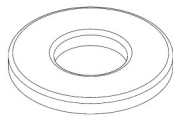
M6-1.0 x 16 Hex Bolt

2x



5/16" Flat Washer

4x



1/4" Flat Washer

10x



5/16"-18 Nylock Nut

2x



1/4"-20 Nylock Nut

12x

Assembly Instructions:

Step 1: Attaching the Radiator to the Assembly

Required Components:

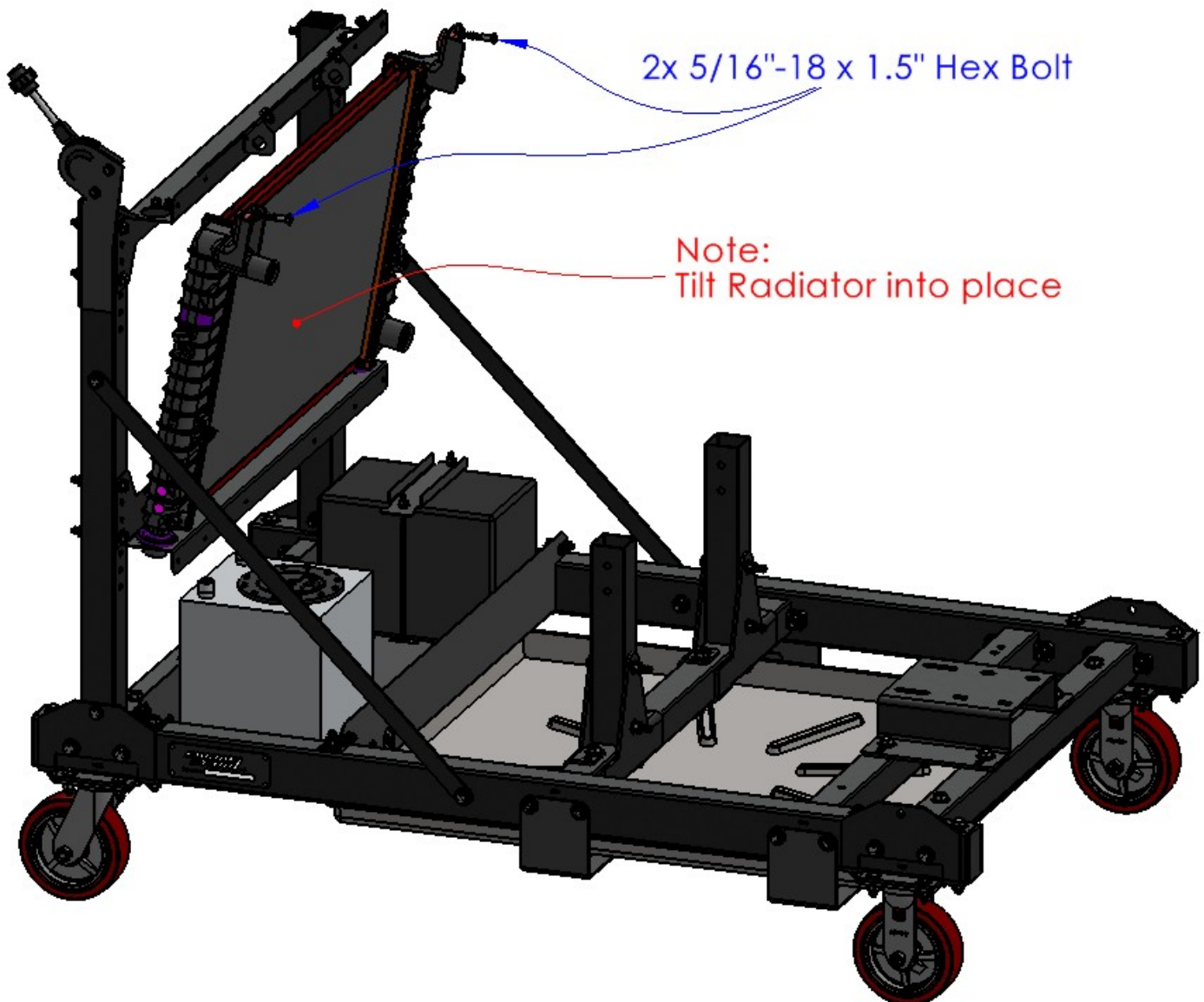
- 1x Radiator

Required Hardware:

- 2x 5/16"-18 x 1.5" Hex Bolt
- 4x 5/16" Flat Washer

- 2x 5/16"-18 Nylock Nut

- Place the lower bushings of the radiator into the lower Radiator Support Crossmember at an angle, and then tilt the radiator into place.
- Use the 5/16"-18 x 1.5" Hex Bolts to attach the Radiator to the upper Radiator Support Crossmember.



Assembly Instructions:

Step 2: Assembling the Radiator Fan Subassembly—Part 1

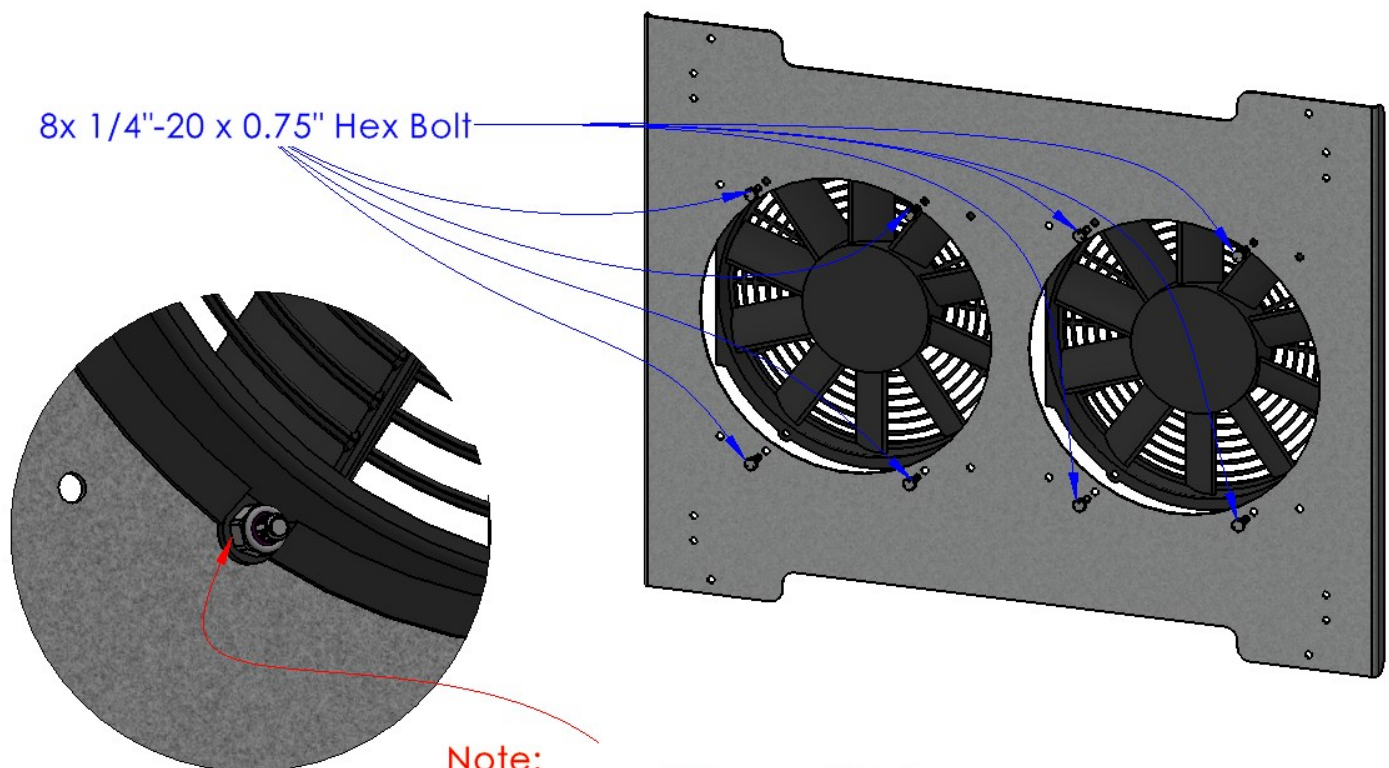
Required Components:

- 1x Radiator Fan Shroud
- 2x Radiator Cooling Fans

Required Hardware:

- 8x 1/4"-20 x 0.75" Hex Bolt
- 8x 1/4"-20 Nylock Nut

- Use the 1/4"-20 x 0.75" Hex Bolts to attach the Radiator Cooling Fans to the Radiator Fan Shroud. Take care not to overtighten the bolts as you may damage the Radiator Cooling Fan's housing.
- **Note:** The Radiator Cooling Fans should be mounted on the side of the Radiator Fan Shroud that has the flanges. Additionally, the bolts should enter through the back of the Radiator Fan Shroud to prevent the risk of damaging the radiator fins.
- **Note:** There are two different sets of holes that can be used to mount the Radiator Cooling Fans on the Radiator Fan Shroud depending on the fan style.



Note:
Take care not to over tighten bolts and crack the Radiator Cooling Fan's housing

Assembly Instructions:

Step 3: Assembling the Radiator Fan Subassembly—Part 2

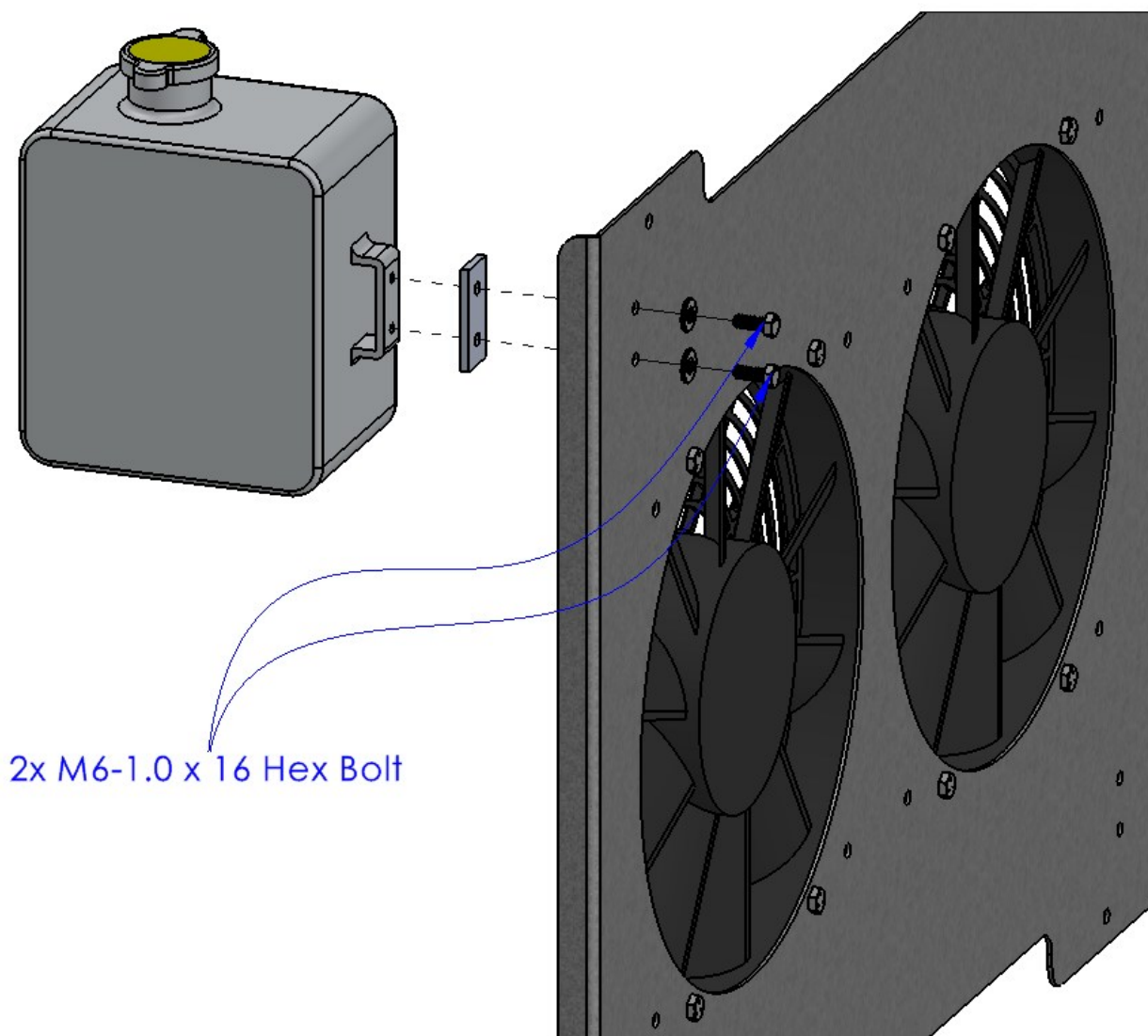
Required Components:

- 1x Coolant Overflow Tank
- 1x Coolant Reservoir Spacer

Required Hardware:

- 2x M6-1.0 x 16 Hex Bolt
- 2x 1/4" Flat Washer

- Use the M6-1.0 x 16 Hex Bolts to attach the Coolant Overflow Tank to the Radiator Fan Shroud.
- **Note:** There are holes to mount the Coolant Overflow Tank on either the driver or passenger side of the stand, depending on your preference.



Assembly Instructions:

Step 4: Attaching the Radiator Fan Subassembly

Required Components:

- 1x Radiator Fan Subassembly

Required Hardware:

- 4x 1/4"-20 x 0.75" Hex Bolt
- 8x 1/4" Flat Washer

- 4x 1/4"-20 Nylock Nut

- Use the 1/4"-20 x 0.75" Hex Bolts to attach the Radiator Fan Subassembly to the Assembly.

